

# Product data sheet

## Characteristics

# MGA36600

Circuit Breaker, PowerPact M, I-Line, electronic trip, 600A, 3 pole, 18 kA, 600 VAC, ABC phasing



Product availability: Stock - Normally stocked in distribution facility

Price\*: 8168.00 USD



### Main

Product or component type	Circuit breaker
---------------------------	-----------------

### Complementary

Line Rated Current	600 A
Poles description	3P
Breaking capacity code	G
Magnetic tripping current	1200...6000 A
Electrical connection	I-Line connection line Lugs load
Terminal identifier	AL800M23K
Tightening torque	442.54 Lbf.In (50 N.m) 0.15...0.37 in <sup>2</sup> (95...240 mm <sup>2</sup> ) (AWG 3/0...500 kcmil)
Height	12.86 In (326.6 mm)
Width	0.32 In (8.06 mm)
Depth	8.27 In (210 mm)
Continuous current rating	80 %

### Ordering and shipping details

Category	01200 - MG, MJ I-LINE BREAKER
Discount Schedule	DE2
GTIN	00785901428749
Nbr. of units in pkg.	1
Package weight(Lbs)	28.86 Lb(US) (13.091 kg)
Returnability	Yes
Country of origin	US

## Packing Units

Unit Type of Package 1	PCE
Package 1 Height	10.50 In (26.67 cm)
Package 1 width	12.10 In (30.734 cm)
Package 1 Length	18.20 In (46.228 cm)

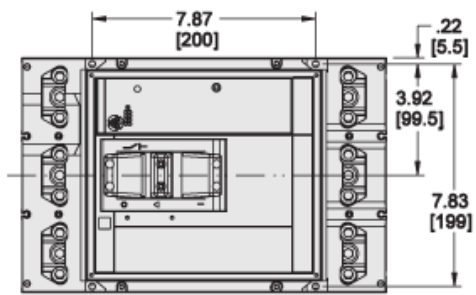
## Offer Sustainability

Sustainable offer status	Green Premium product
California proposition 65	WARNING: This product can expose you to chemicals including: DIN-P, which is known to the State of California to cause cancer, and DID-P, which is known to the State of California to cause birth defects or other reproductive harm. For more information go to <a href="http://www.P65Warnings.ca.gov">www.P65Warnings.ca.gov</a>
REACH Regulation	<a href="#">REACH Declaration</a>
EU RoHS Directive	Compliant <a href="#">EU RoHS Declaration</a>
Mercury free	Yes
RoHS exemption information	<a href="#">Yes</a>
China RoHS Regulation	<a href="#">China RoHS Declaration</a>
Environmental Disclosure	<a href="#">Product Environmental Profile</a>
Circularity Profile	<a href="#">End Of Life Information</a>
PVC free	Yes

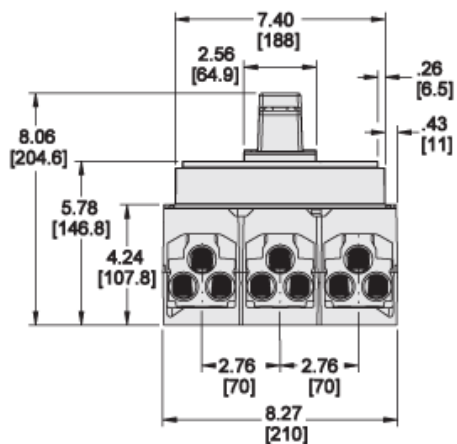
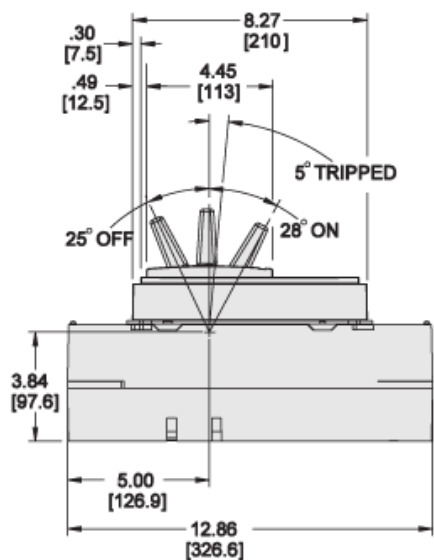
## Contractual warranty

Warranty	18 months
----------	-----------

Approximate Dimensions



in.  
[mm]



Product Life Status : Commercialised